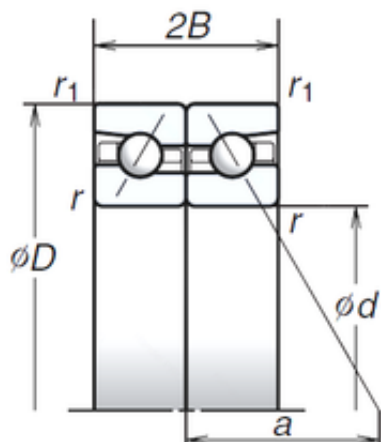




NTN Bearing Manufacturing

105 mm x 160 mm x 24,75 mm NSK
105BAR10H angular contact ball bearings



Bearing No. 105BAR10H

Size	105x160x24.75 mm
Bore Diameter	105 mm
Outer Diameter	160 mm
Width	24,75 mm
d	105 mm
D	160 mm
B	24,75 mm
C	24,75 mm
Angle ()	30 °
a	50,6 mm
r min.	2 mm
r1 min.	1 mm
2B	49,5 mm
Weight	1,624 Kg
Basic dynamic load rating (C)	49,5 kN
Basic static load rating (C0)	115 kN
(Grease) Lubrication Speed	6 500 r/min
(Oil) Lubrication Speed	8 000 r/min

105BAR10H Bearing 2D drawings and 3D CAD models