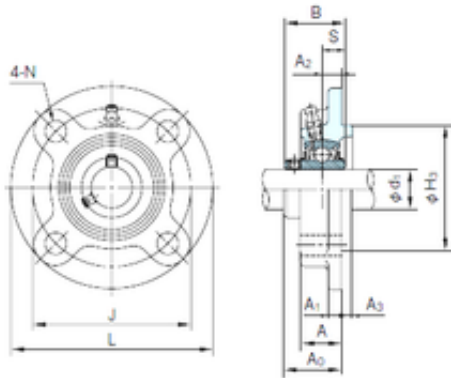




NTN Bearing Manufacturing

NACHI UCFC215 bearing units



Bearing No. UCFC215

Bore Diameter	75 mm
d1	75 mm
H3	160 mm
A0	62.5 mm
A	40 mm
A1	18 mm
B	77.8 mm
J	184 mm
L	220 mm
N	19 mm
S	33.3 mm
Bolt (G)	M16
A2	18 mm
A3	16 mm

UCFC215 Bearing 2D drawings and 3D CAD models