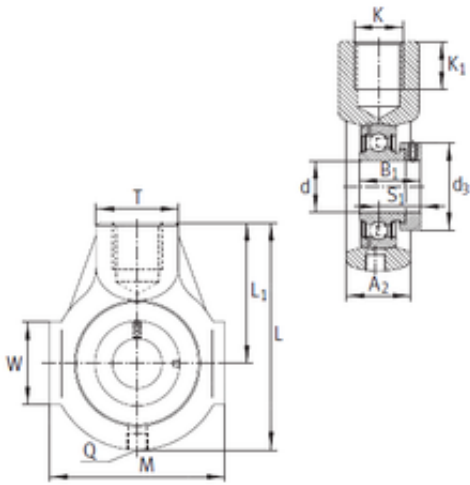




NTN Bearing Manufacturing



PHE45 Bearing 2D drawings and 3D CAD models

INA PHE45 bearing units

Bearing No. PHE45

Bore Diameter	45 mm
d	45 mm
S1	32,7 mm
K1	24 mm
Thread (Q)	Rp1/8
Thread (K)	M24
d3	63 mm
B1	43,7 mm
L	145 mm
L1	90 mm
M	110 mm
T	40 mm
W	45 mm
A2	40 mm
Weight	1,89 Kg
Basic dynamic load rating (C)	32,5 kN
Category	Bearings
Inventory	0.0
Manufacturer Name	SCHAEFFLER GROUP
Minimum Buy Quantity	N/A
Weight / Kilogram	2.371
Product Group	M06110