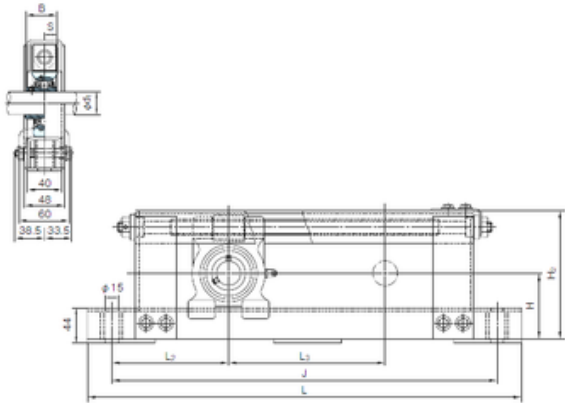




# NTN Bearing Manufacturing

## NACHI UCTL208+WL300 bearing units



Bearing No. UCTL208+WL300

Bore Diameter	40 mm
Width	49,2 mm
d	40 mm
L2	155 mm
L3	300 mm
B	49,2 mm
H	97 mm
H2	186 mm
J	610 mm
L	670 mm
S	19 mm
Bolt (G)	M12

UCTL208+WL300 Bearing 2D drawings and 3D CAD models