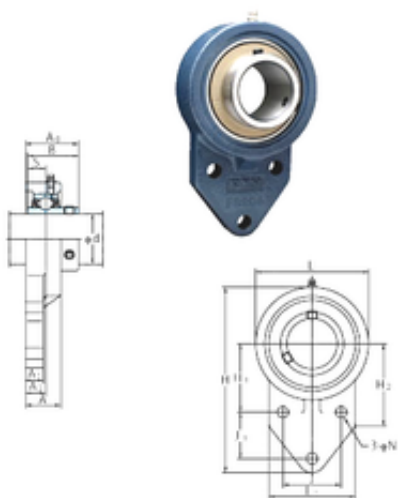




NTN Bearing Manufacturing

FYH UCFB210-30 bearing units



Bearing No. UCFB210-30

| | |
|-------------------------------|-----------|
| Bore Diameter | 47,625 mm |
| d | 47,625 mm |
| A0 | 52,6 mm |
| A | 35 mm |
| A1 | 18 mm |
| B | 51,6 mm |
| H | 184 mm |
| H1 | 68 mm |
| H2 | 82 mm |
| J | 58 mm |
| L | 112 mm |
| L1 | 86 mm |
| N | 11 mm |
| S | 19 mm |
| Bolt (G) | M10 |
| A2 | 20 mm |
| J1 | 46 mm |
| Weight | 2,3 Kg |
| Basic dynamic load rating (C) | 35,1 kN |
| Basic static load rating (C0) | 23,3 kN |

UCFB210-30 Bearing 2D drawings and 3D CAD models