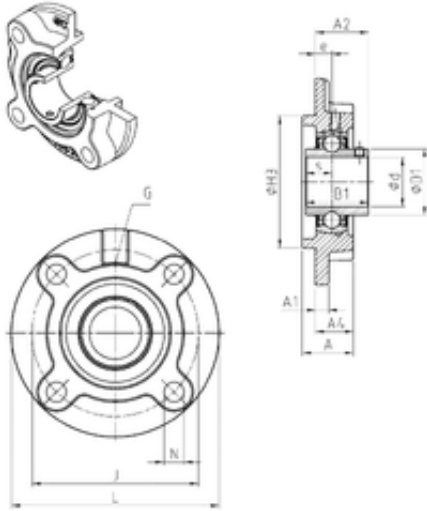




NTN Bearing Manufacturing



SNR UCFC213 bearing units

Bearing No. UCFC213

Bore Diameter	65 mm
d	65 mm
H3	145 mm
A4	35 mm
e	16 mm
s	25,4 mm
A	49 mm
A1	15 mm
B1	65,1 mm
D1	82 mm
J	170 mm
L	205 mm
N	19 mm
Thread (G)	M6x1
A2	55,7 mm
Weight	5,5 Kg
Basic dynamic load rating (C)	57,2 kN

UCFC213 Bearing 2D drawings and 3D CAD models