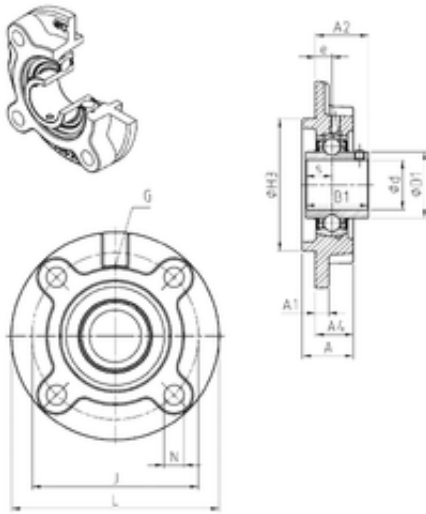




NTN Bearing Manufacturing



SNR UCFC217 bearing units

Bearing No. UCFC217

Bore Diameter	85 mm
d	85 mm
H3	180 mm
A4	45 mm
e	18 mm
s	34,1 mm
A	63 mm
A1	20 mm
B1	85,7 mm
D1	105,1 mm
J	208 mm
L	250 mm
N	23 mm
Thread (G)	M10x1
A2	69,6 mm
Weight	10,6 Kg
Basic dynamic load rating (C)	83,2 kN

UCFC217 Bearing 2D drawings and 3D CAD models