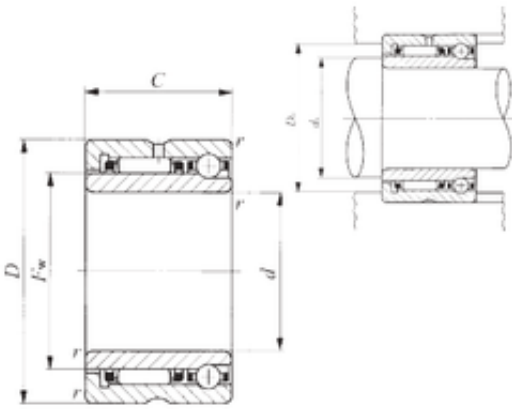




NTN Bearing Manufacturing

60 mm x 85 mm x 34 mm IKO NATA 5912
complex bearings



Bearing No. NATA 5912

Size	60x85x34 mm
Bore Diameter	60 mm
Outer Diameter	85 mm
Width	34 mm
d	60 mm
Fw	68 mm
D	85 mm
B	34 mm
C	34 mm
r min.	1 mm
da min.	65 mm
Da max.	80 mm
Weight	0,625 Kg
Dynamic load rating radial (C)	41,8 kN
Dynamic load rating axial (C)	10,7 kN
Static load rating radial (C0)	82,2 kN
Static load rating axial (C0)	26,7 kN

NATA 5912 Bearing 2D drawings and 3D CAD models