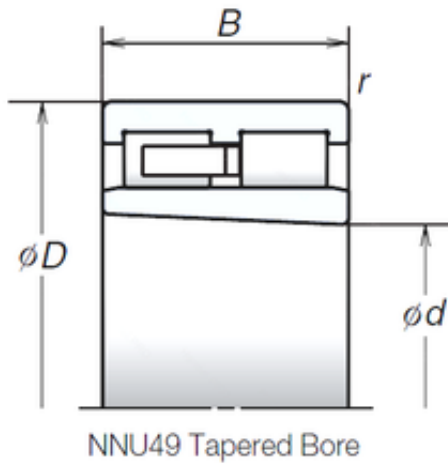




NTN Bearing Manufacturing



180 mm x 250 mm x 69 mm NSK
 NNU4936MBKR cylindrical roller bearings

Bearing No. NNU4936MBKR

Size	180x250x69 mm
Bore Diameter	180 mm
Outer Diameter	250 mm
Width	69 mm
d	180 mm
F	200 mm
D	250 mm
B	69 mm
C	69 mm
r min.	2 mm
Weight	10,4 Kg
Basic dynamic load rating (C)	480 kN
Basic static load rating (C0)	1 020 kN
(Grease) Lubrication Speed	3 500 r/min

NNU4936MBKR Bearing 2D drawings and 3D CAD models