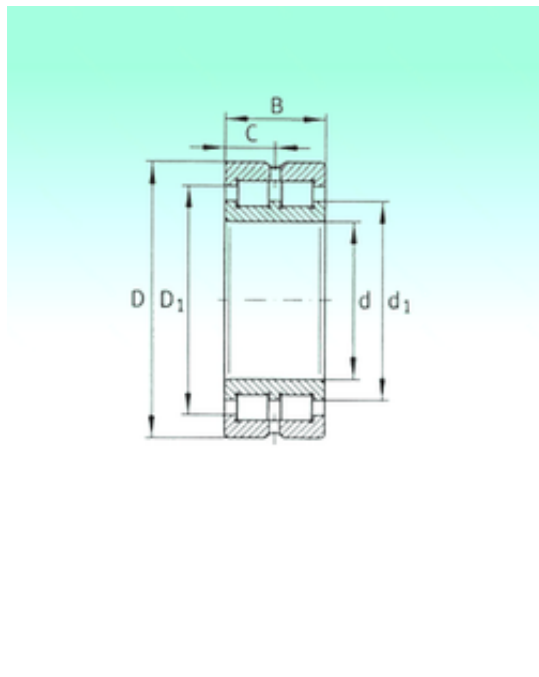




## NTN Bearing Manufacturing



SL014860 Bearing 2D drawings and 3D CAD models

300 mm x 380 mm x 80 mm NBS SL014860  
cylindrical roller bearings

Bearing No. SL014860

Size	300x380x80 mm
Bore Diameter	300 mm
Outer Diameter	380 mm
Width	80 mm
d	300 mm
D	380 mm
B	80 mm
C	80 mm
d1	327,9 mm
C	40 mm
D1	349,9 mm
Weight	23 Kg
Basic dynamic load rating (C)	830 kN
Basic static load rating (C0)	2120 kN