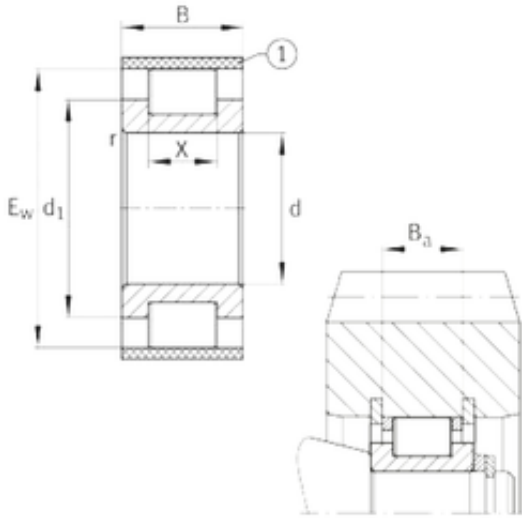




NTN Bearing Manufacturing

INA RSL183024-A cylindrical roller bearings

Bearing No. RSL183024-A



RSL183024-A Bearing 2D drawings and 3D CAD models

Size	120x167.58x46 mm
Bore Diameter	120 mm
Outer Diameter	167,58 mm
Width	46 mm
d	120 mm
Ew	167,58 mm
B	46 mm
Ba	41,6 mm
X	26 mm
d1	139 mm
r min.	2 mm
Weight	2,41 Kg
Basic dynamic load rating (C)	300 kN