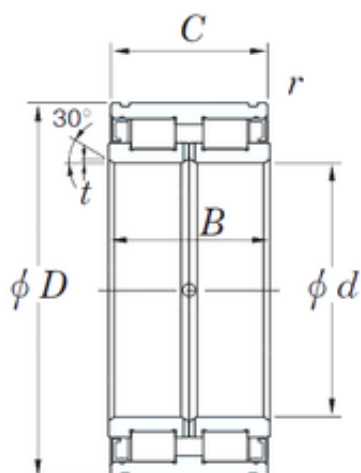




NTN Bearing Manufacturing



140 mm x 210 mm x 95 mm KOYO DC5028N
cylindrical roller bearings

Bearing No. DC5028N

Size	140x210x95 mm
Bore Diameter	140 mm
Outer Diameter	210 mm
Width	95 mm
d	140 mm
D	210 mm
B	95 mm
C	94 mm
t	1,7 mm
r min.	1 mm
C1	77 mm
S	8,5 mm
Ca	77 mm
da min.	152 mm
Da min	245 mm
Weight	11 Kg
Basic dynamic load rating (C)	540 kN
Bearing No.	DC5028N
r(min)	1
Cr	540
C0r	1070
E	-
f	-
da(min)	152
Dx(min)	-

DC5028N Bearing 2D drawings and 3D CAD models



NTN Bearing Manufacturing

C2	-
(Refer.) Mass(kg)	11.0