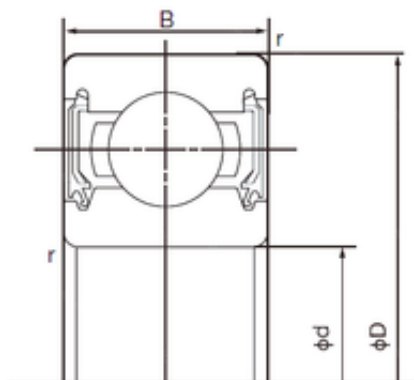




NTN Bearing Manufacturing

50 mm x 80 mm x 16 mm NACHI 6010-2NSE9
deep groove ball bearings



Bearing No. 6010-2NSE9

Size	50x80x16 mm
Bore Diameter	50 mm
Outer Diameter	80 mm
Width	16 mm
d	50 mm
D	80 mm
B	16 mm
C	16 mm
r min.	1.0 mm
Basic dynamic load rating (C)	21,8 kN
Basic static load rating (C0)	16,6 kN
Bore Type	Cylindrical Bore
Enclosure	Double Seal
Configuration	Single Row
Weight	0.264 kg
Bore Size	50 mm
Outside Diameter	80 mm
Width	16 mm
Fillet Radius/Chamfer	1 mm
Dynamic Load Rating	21,800 N
Static Load Rating	16,600 N
Limiting Speed - Grease	5,000 rpm
Factor fo	15.6
Radial Clearance	0.006 to 0.023 mm
da (min)	55 mm

6010-2NSE9 Bearing 2D drawings and 3D CAD models



NTN Bearing Manufacturing

Da (max)	75 mm
ra (max)	1 mm