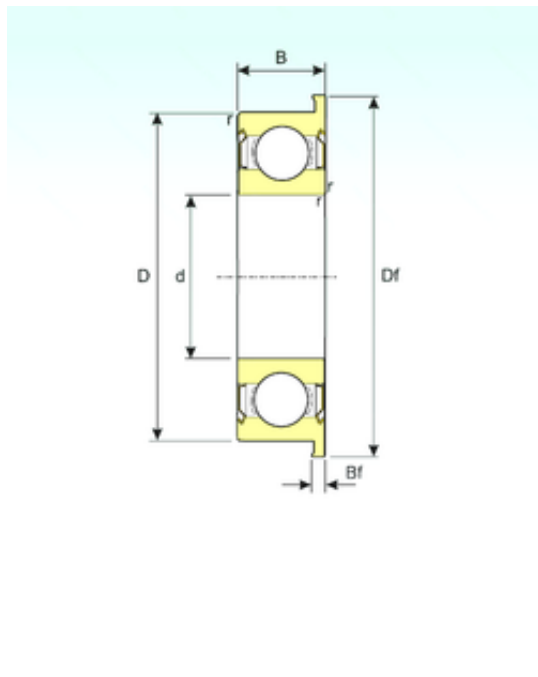




NTN Bearing Manufacturing



4 mm x 12 mm x 4 mm ISB F604ZZ deep groove ball bearings

Bearing No. F604ZZ

Dimensione	4x12x4 mm
Marchio	ISB
Diametro del foro	4 mm
Diametro esterno	12 mm
Larghezza	4 mm
d	4 mm
D	12 mm
B	4 mm
C	4 mm
Bf	1 mm
Df	13,5 mm
r min.	0,2 mm
Carico dinamico di base (C)	0,74 kN

F604ZZ Bearing 2D drawings and 3D CAD models