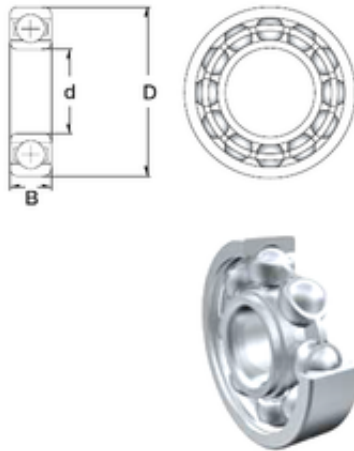




## NTN Bearing Manufacturing



4,763 mm x 7,938 mm x 3,175 mm ZEN  
SR156-2Z deep groove ball bearings

Bearing No. SR156-2Z

Size	4.763x7.938x3.175 mm
Bore Diameter	4,763 mm
Outer Diameter	7,938 mm
Width	3,175 mm
d	4,763 mm
D	7,938 mm
B	3,175 mm
C	3,175 mm
Basic dynamic load rating (C)	0,359 kN
Basic static load rating (C0)	0,15 kN
(Grease) Lubrication Speed	53000 r/min

SR156-2Z Bearing 2D drawings and 3D CAD models