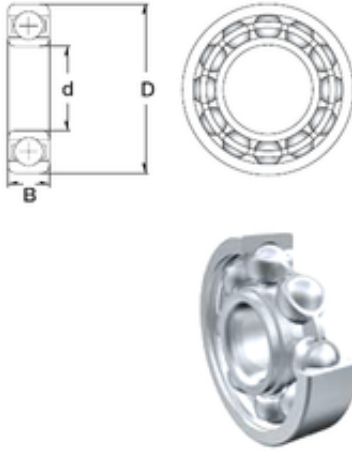




# NTN Bearing Manufacturing



200 mm x 360 mm x 58 mm ZEN 6240 deep groove ball bearings

Bearing No. 6240

Size	200x360x58 mm
Bore Diameter	200 mm
Outer Diameter	360 mm
Width	58 mm
d	200 mm
D	360 mm
B	58 mm
C	58 mm
Weight	28 Kg
Basic dynamic load rating (C)	207,5 kN
Basic static load rating (C0)	249 kN

6240 Bearing 2D drawings and 3D CAD models