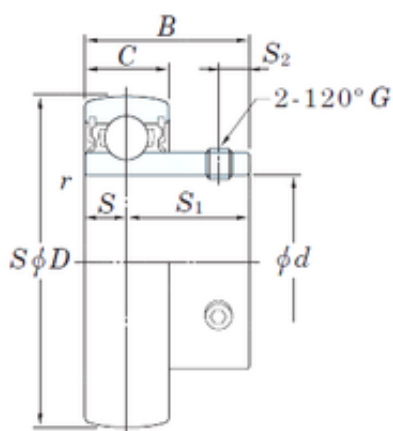




NTN Bearing Manufacturing

38,1 mm x 80 mm x 49,2 mm KOYO UC208-24 deep groove ball bearings



Bearing No. UC208-24

Size	38.1x80x49.2 mm
Bore Diameter	38,1 mm
Outer Diameter	80 mm
Width	49,2 mm
d	38,1 mm
D	80 mm
B	49,2 mm
C	21 mm
S1	30,2 mm
r min.	1,1 mm
S	19 mm
S2	8 mm
Thread (G) - 5/16-24UNF	5/1624UNF
Weight	0,68 Kg
Basic dynamic load rating (C)	29,1 kN
Basic static load rating (C0)	17,8 kN
Category	Bearings
Inventory	0.0
Manufacturer Name	KOYO
Minimum Buy Quantity	N/A
Weight / Kilogram	0
Product Group	M06110

UC208-24 Bearing 2D drawings and 3D CAD models