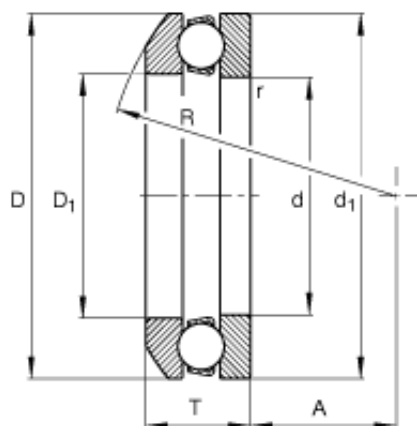




NTN Bearing Manufacturing

FAG 53207 thrust ball bearings



Bearing No. 53207

Size	35x62x19.9 mm
Bore Diameter	35 mm
Outer Diameter	62 mm
Width	19,9 mm
d	35 mm
D	62 mm
T	19,9 mm
A	24 mm
D ₁	37 mm
D _{a max}	48 mm
d ₁	62 mm
d _{a min}	51 mm
R	50 mm
r _{a max}	1 mm
r _{min}	1 mm
m	0,265 kg / Weight
C _a	35500 N / Dynamic load rating (axial)
C _{0a}	67000 N / Static load rating (axial)
A	0,028 / Factor min. load
n _G	6000 1/min / Limiting speed
C _{ua}	3000 N / Fatigue limit load, axial

53207 Bearing 2D drawings and 3D CAD models